

# Hearing Inclusion Kit with ezRoom

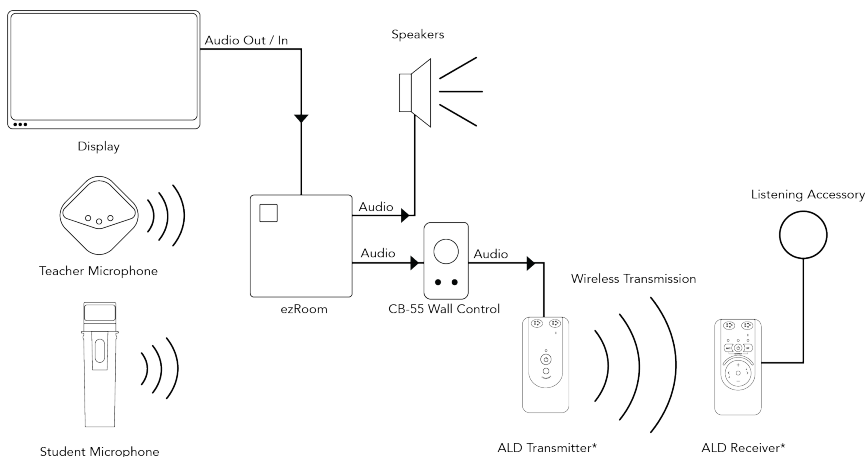
The FrontRow Hearing Inclusion Kit is a classroom soundfield and hearing augmentation solution that supports students and teachers to engage in classroom education. ezRoom can be connected to AV devices, such as data projectors and flat-panel displays and is network and PoE ready — providing a future-proofed, long-term solution to hearing augmentation and classroom AV.

The Building Code of Australia (BCA) requires only hearing augmentation be provided in education spaces. However, it's integral to provide a modern AV and hearing solution that supports student learning and focuses on better outcomes in educational environments.

## How the Hearing Inclusion Kit works

The Hearing Inclusion Kit combines FrontRow audio devices and speakers with assistive listening devices (ALD) — providing a solution that benefits everyone in the classroom rather than just a few.

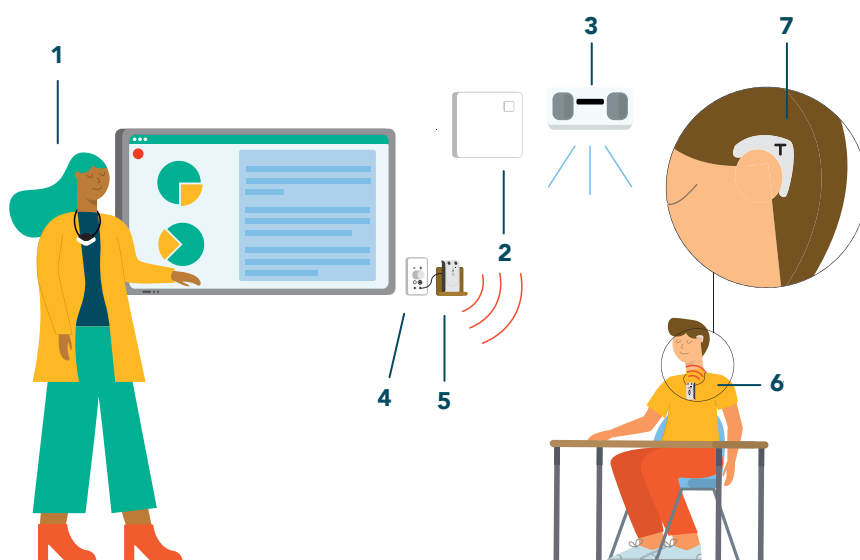
The below diagrams show how this works in the classroom.



\*FrontRow recommends Bellman audio devices. However, other assistive listening devices are compatible.

**Figure 1.** Technical drawing showing how the Hearing Inclusion Kit works with the ezRoom

**Figure 2.** Illustration to demonstrate how the Hearing Inclusion Kit works in a classroom with ezRoom



1. Teacher's voice is picked up by pendant microphone, helping alleviate vocal stress
2. ezRoom sends all audio inputs to classroom speakers and the ALD transmitter
3. Speaker broadcasts audio for the benefit of every student in the class
4. FrontRow wall control sends audio to ALD transmitter
5. ALD transmitter sends signal to all ALD devices in the class
6. Wireless transmission picked up by ALD receiver\*
7. Audio is heard through headphones or, when using a neck loop, hearing aids or speech processor

\*Spare receivers located at the school office or administration

## Why FrontRow?

Our goal is to help deliver a great education to every student. As part of global health company, Demant, we've helped over 14,000 educational institutions around the world simplify, standardise, and improve the way they communicate.

FrontRow products work together to build a communications eco-system. Our devices are designed to adapt as a school grows and technology advances.

## Designed for the future

FrontRow designed the Hearing Inclusion Kit to provide long-term, future-proof solutions for Australian learning environments.



### ALD Compatible

Our Hearing Inclusion Kit lets students connect their own device or we can provide an ALD kit — helping you achieve compliance.



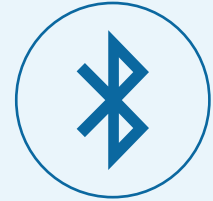
### Incredible Classroom Audio

ezRoom provides high-quality, soundfield audio designed for classroom environments.



### Network and PoE Ready

ezRoom is network and PoE ready — allowing you to integrate it with other network devices for a fully connected campus.



### Bluetooth Connectivity

ezRoom supports bluetooth connectivity for simple, wireless audio streaming and playback.

## Meeting Building Code of Australia requirements

The mandatory requirements state hearing augmentation must be installed in most public spaces. The FrontRow Hearing Inclusion Kit is designed to meet regulation and compliance requirements by combining soundfield amplification with assistive listening devices.\*

To ensure compliance, each room fitted with a FrontRow Hearing Inclusion Kit must have adequate signage. Below is an example of the appropriate signage.

*\*Individual compliance is subject to the approval of a building certifier or certified access consultant.*



**Figure 3.** Example of signage to be displayed outside the classroom.

**Please note:** Sign is an example only. Braille is indicative and may not be 100% accurate.